

DS-QAZ1325G1T(C)
25 W Network Horn Speaker



- 110dB Nominal Sensitivity
- 124dB@1m Rated Maximum SPL
- 300Hz~8kHz bandwidth
- Support SIP
- 25W Rated Power

▪ Specification

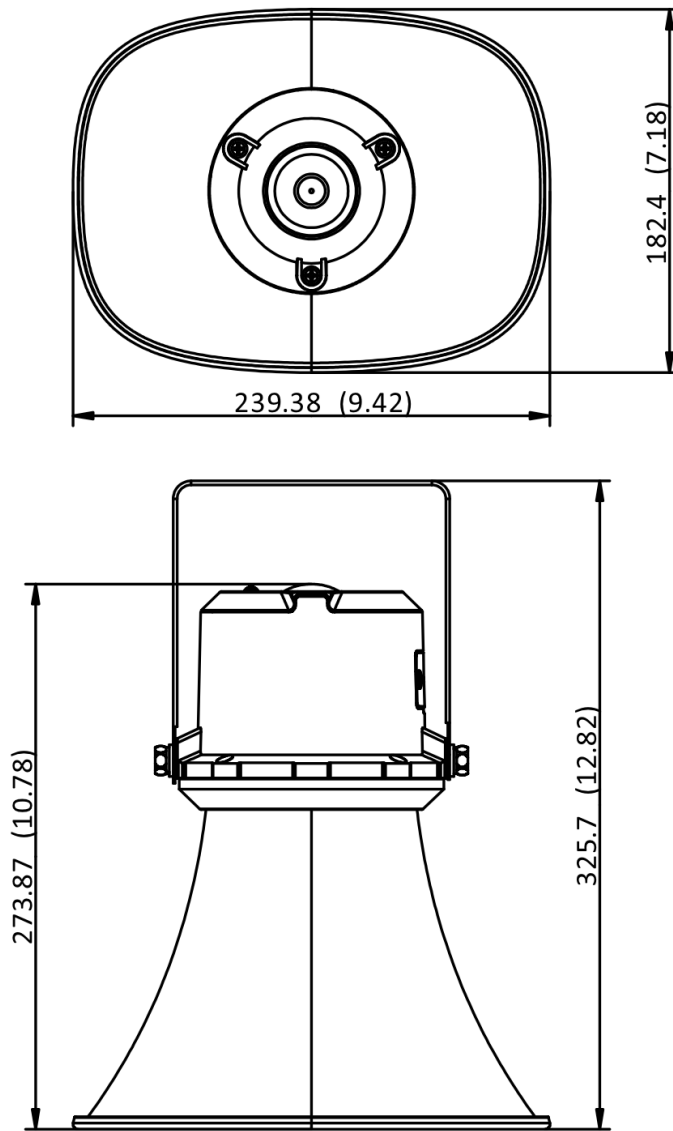
Microphone	
Type	electret
Amount	2
Frequency Response	100 Hz to 20 kHz
Sensitivity	-42 dBV/Pa
Sampling Rate	48 kHz
Quantization Bits	16 bit
Speaker	
Rated Power	25 W
Impedance	8 Ω
Max. Acoustic Pressure	124 dB SPL
Sensitivity(1 m, 1 W)	110 dB
Direction	70° horizontal by 100° vertical
Frequency Response	300 Hz to 8 kHz
SNR	83 dB
Function	
Audio Algorithm	AEC、AGC、ANS、DRC
Audio Bit Rate	G.711ulaw(64 Kbps)/G.711alaw(64 Kbps)/MP3(128 Kbps)
Audio File Format	MP3, WAV
NTP Timing	Support
Broadcast	Regular broadcast, live broadcast, emergency broadcast
Two-Way Audio	Support
Speech Synthesis	Language Type: English, Russian, Spanish, Japanese, Thai, Portuguese (Brazil)
Network	
Network Protocol	IPv4, HTTP, HTTPS, SIP, SSL/TLS, DNS, NTP, TCP, UDP, IGMP, ICMP, DHCP, ARP, SSH
Interface Protocol (API)	ISAPI, ISUP, SIP, RTP, ONVIF
Client	Hik-Connect, ivms/4200, HikCentral Professional, Hik-Partner Pro, NVR, MileStone
Communication	
Communication Method	Support wired network communication
Interface	
Ethernet Interface	RJ45 10 M/100 M Adaptive Ethernet port × 1
Alarm	Alarm input ×1
Power Output	12 VDC, 25 mA(max.)
Local Storage	Built-in 4 GB EMMC (Audio file storage is 1 GB.)
API	ISAPI, ISUP, SIP, ONVIF
Reset	Support
General	
Material	Metal
Operating Temperature	-30 °C to 60 °C(-22 °F to 140 °F)
Operating Humidity	< 90% (No condensation)
Language	9 languages: English, French, Spanish, German, Italian, Russian, Japanese, Thai, Portuguese (Brazil)
Dimension	182.4 mm × 273.87 mm × 239.38 mm (7.18" × 10.78" × 9.42")
Power	24 VDC, 1167mA, 28W

Package Dimension	310 mm × 245 mm × 400 mm(12.2" × 9.6" × 15.6")
Weight	Approx. 2.1 kg (4.63 lb.)
Color	White
With Package Weight	Approx. 3.4 kg (7.50 lb.)
Packing List	Device × 1 Threading cap × 1 Regulatory Compliance and Safety Information × 1
Approval	
Protection	IP67, IK10
EMC	CE-EMC: EN 55032:2015+A11:2020+A1:2020, EN IEC 61000-3-2:2019, EN 61000-3-3:2013+A1:2019+A2:2021, EN 55035:2017+A11:2020 RCM: AS/NZS CISPR 32: 2015 IC: ICES-003: Issue 7
Safety	CB: IEC 62368-1:2014 CE-LVD: EN 62368-1:2014/A11:2017
Environment	CE-RoHS: 2011/65/EU WEEE: 2012/19/EU Reach: Regulation (EC) No 1907/2006

▪ **Available Model**

DS-QAZ1325G1T(C)

▪ **Dimension**



Unit: mm(inch)

See Far, Go Further



www.hikvision.com
support@hikvision.com

