

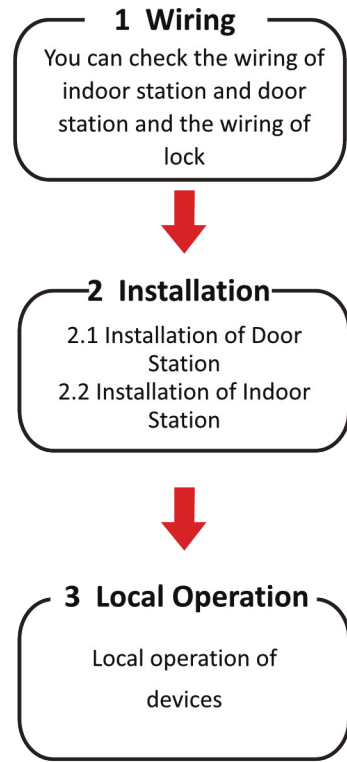


Video Intercom Four-Wire Bundle

Quick Start Guide

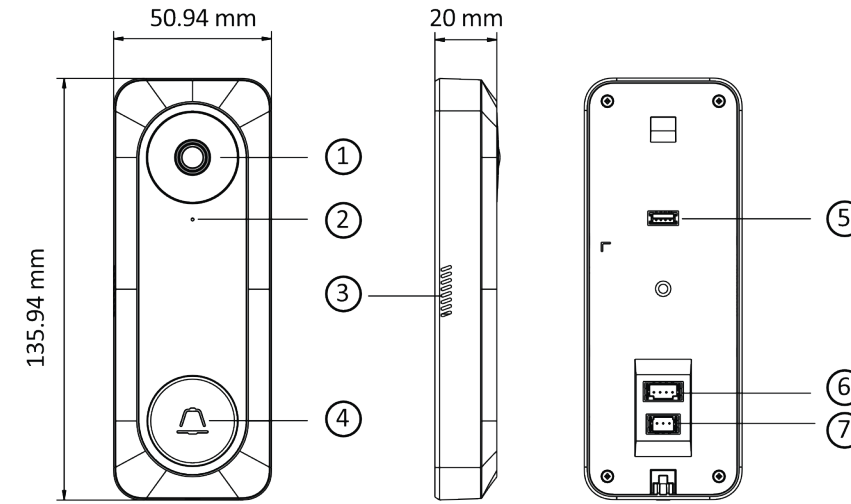
UD34979N

Quick Start Flow Chart



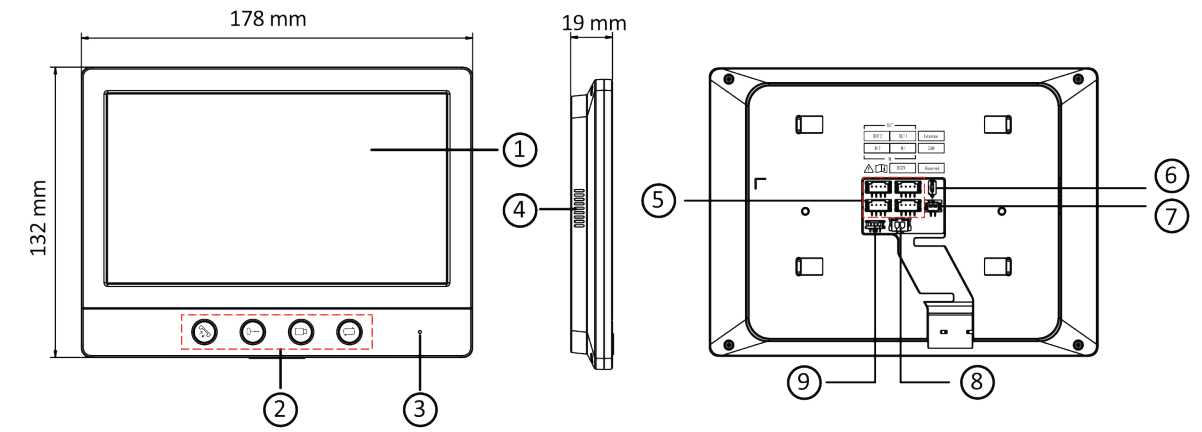
Appearance

Appearance of Door Station



- ① Camera
- ② Microphone
- ③ Loudspeaker
- ④ Call Button
- ⑤ Debugging Port (For debugging use only)
- ⑥ Four-Wire Interface
- ⑦ Lock Interface

Appearance of Indoor Station



- ① Display Screen
- ② Buttons (Call/Unlock/Live View/Switch Camera)
- ③ Microphone
- ④ Loudspeaker
- ⑤ Four-Wire Interface
- ⑥ DIP Switch*
- ⑦ Camera Interface
- ⑧ Power Interface
- ⑨ Debugging Port (For debugging use only)*



- The pictures here are for reference only.
- The debugging port is for debugging use only.
- You can set the indoor station as main indoor station or indoor extension by setting the DIP Switch. Set the DIP switch to **ON**, the device will be set as indoor extension. Set the DIP switch to **1**, the device will be set as main indoor station. By default, the switch is set as **1**.

About this Document

- This Document includes instructions for using and managing the Product. Pictures, charts, images and all other information hereinafter are for description and explanation only.
- The information contained in the Document is subject to change, without notice, due to firmware updates or other reasons. Please find the latest version of the Document at the company website. Unless otherwise agreed, our company makes no warranties, express or implied.
- Please use the Document with the guidance and assistance of professionals trained in supporting the Product.

About this Product

This product can only enjoy the after-sales service support in the country or region where the purchase is made.

Trademarks Acknowledgment

All trademarks and logos mentioned are the properties of their respective owners.

LEGAL DISCLAIMER

TO THE MAXIMUM EXTENT PERMITTED BY APPLICABLE LAW, THIS DOCUMENT AND THE PRODUCT DESCRIBED, WITH ITS HARDWARE, SOFTWARE AND FIRMWARE, ARE PROVIDED "AS IS" AND "WITH ALL FAULTS AND ERRORS". OUR COMPANY MAKES NO WARRANTIES, EXPRESS OR IMPLIED, INCLUDING WITHOUT LIMITATION, MERCHANTABILITY, SATISFACTORY QUALITY, OR FITNESS FOR A PARTICULAR PURPOSE. THE USE OF THE PRODUCT BY YOU IS AT YOUR OWN RISK. IN NO EVENT WILL OUR COMPANY BE LIABLE TO YOU FOR ANY SPECIAL, CONSEQUENTIAL, INCIDENTAL, OR INDIRECT DAMAGES, INCLUDING, AMONG OTHERS, DAMAGES FOR LOSS OF BUSINESS PROFITS, BUSINESS INTERRUPTION, OR LOSS OF DATA, CORRUPTION OF SYSTEMS, OR LOSS OF DOCUMENTATION, WHETHER BASED ON BREACH OF CONTRACT, TORT (INCLUDING NEGLIGENCE), PRODUCT LIABILITY, OR OTHERWISE, IN CONNECTION WITH THE USE OF THE PRODUCT, EVEN IF OUR COMPANY HAS BEEN ADVISED OF THE POSSIBILITY OF SUCH DAMAGES OR LOSS.

YOU ACKNOWLEDGE THAT THE NATURE OF THE INTERNET PROVIDES FOR INHERENT SECURITY RISKS, AND OUR COMPANY SHALL NOT TAKE ANY RESPONSIBILITIES FOR ABNORMAL OPERATION, PRIVACY LEAKAGE OR OTHER DAMAGES RESULTING FROM CYBER-ATTACK, HACKER ATTACK, VIRUS INFECTION, OR OTHER INTERNET SECURITY RISKS; HOWEVER, OUR COMPANY WILL PROVIDE TIMELY TECHNICAL SUPPORT IF REQUIRED.

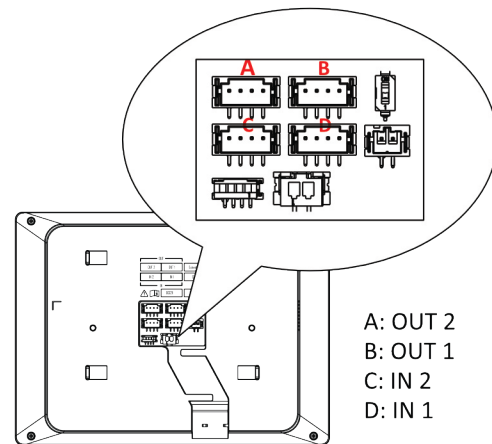
YOU AGREE TO USE THIS PRODUCT IN COMPLIANCE WITH ALL APPLICABLE LAWS, AND YOU ARE SOLELY RESPONSIBLE FOR ENSURING THAT YOUR USE CONFORMS TO THE APPLICABLE LAW. ESPECIALLY, YOU ARE RESPONSIBLE FOR USING THIS PRODUCT IN A MANNER THAT DOES NOT INFRINGE ON THE RIGHTS OF THIRD PARTIES, INCLUDING WITHOUT LIMITATION, RIGHTS OF PUBLICITY, INTELLECTUAL PROPERTY RIGHTS, OR DATA PROTECTION AND OTHER PRIVACY RIGHTS. YOU SHALL NOT USE THIS PRODUCT FOR ANY PROHIBITED END-USES, INCLUDING THE DEVELOPMENT OR PRODUCTION OF WEAPONS OF MASS DESTRUCTION, THE DEVELOPMENT OR PRODUCTION OF CHEMICAL OR BIOLOGICAL WEAPONS, ANY ACTIVITIES IN THE CONTEXT RELATED TO ANY NUCLEAR EXPLOSIVE OR UNSAFE NUCLEAR FUEL-CYCLE, OR IN SUPPORT OF HUMAN RIGHTS ABUSES.

IN THE EVENT OF ANY CONFLICTS BETWEEN THIS DOCUMENT AND THE APPLICABLE LAW, THE LATTER PREVAILS.

1 Wiring

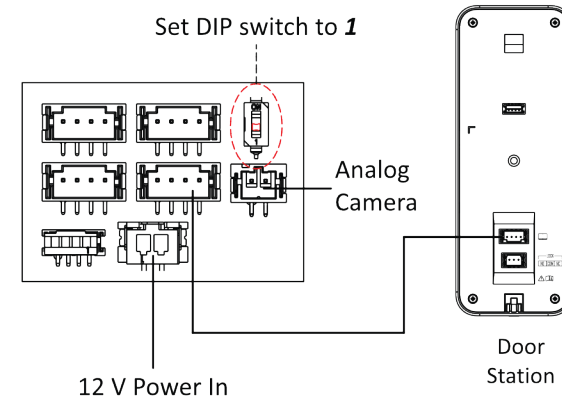


- For more details about the wiring, please refer to the **User Manual**.
- Up to 2 door stations and 3 indoor stations can be used in one video intercom system.
- Only 1 indoor station can be set as the main indoor station. If there are more than 1 indoor station in the system, the other 1 or 2 indoor stations will be set as extensions.
- Interface **A** and **C** are for channel 2 and **B** and **D** for channel 1.

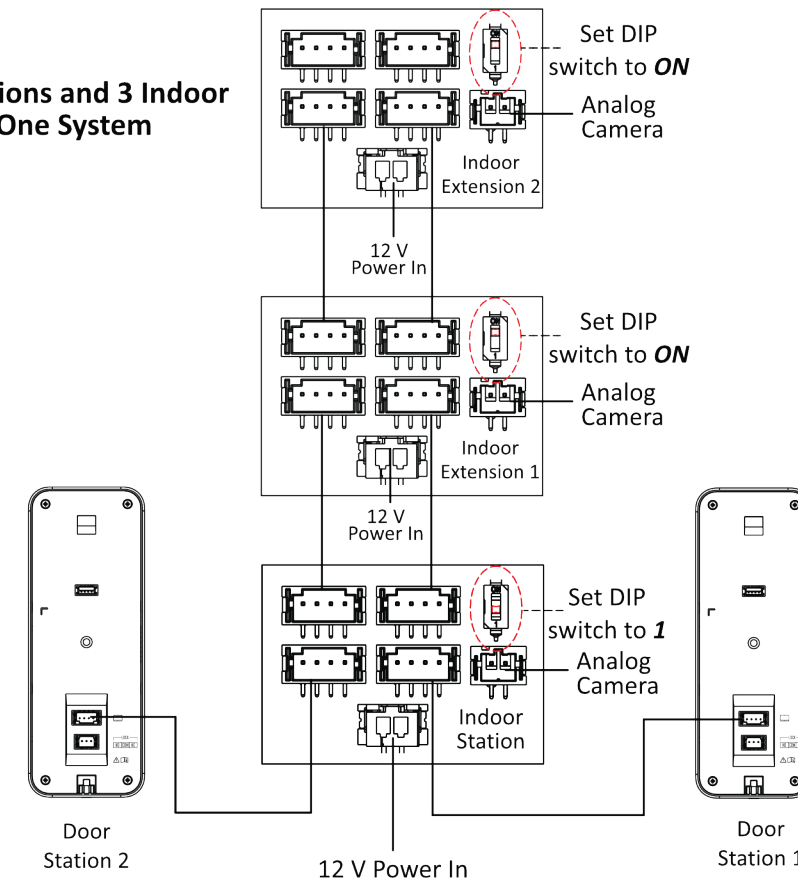


The analog camera supports PAL video standard.

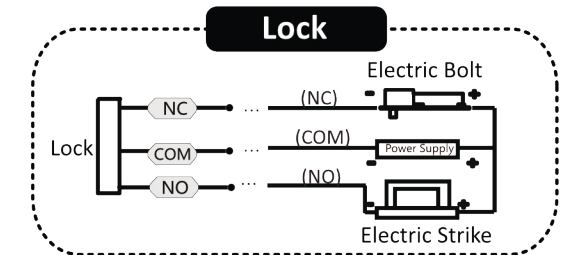
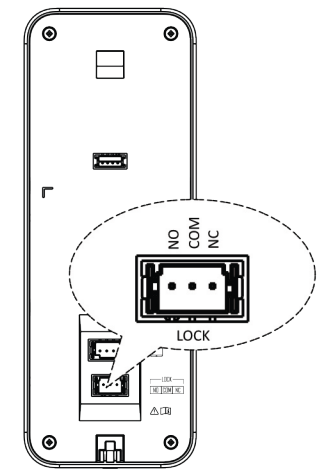
1 Door Station and 1 Indoor Station



2 Door Stations and 3 Indoor Stations in One System



Wiring of Lock



2 Installation

Installation of Door Station

Wall Mounting

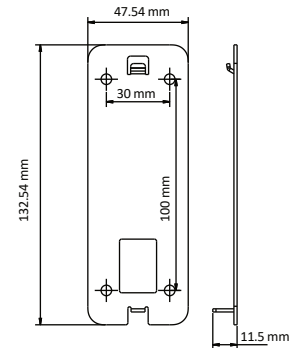
Installation Accessory Description

The mounting plate is required to install the door station onto the wall. The dimension of the mounting plate is shown.

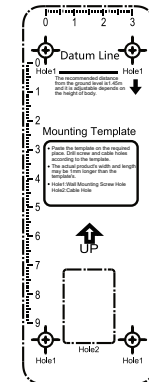
Before You Start

Make sure the device in the package is in good condition and all the assembly parts are included. Make sure all related equipments are powered-off during the installation. Check the product specification for the installation environment.

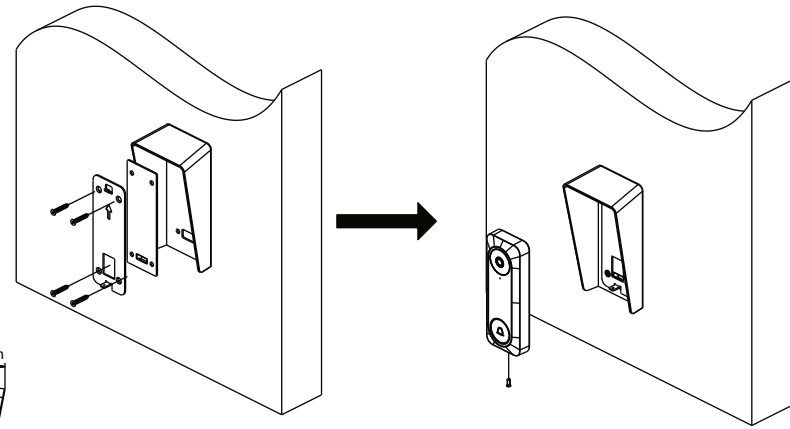
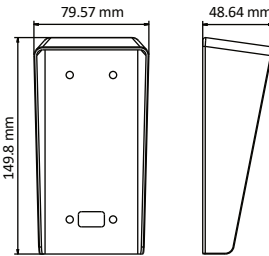
Mounting Plate



Mounting Template



Protective Shield



1. Stick the mounting template on the wall. Drill screw holes according to the mounting template. Remove the template from the wall.
2. Secure the mounting plate, the silicone and the protective shield on the wall with 4 SC-KA4X25 screws according to the screw holes.
3. Wire the device and fix the device to the mounting plate.
4. Fix the device on the mounting plate with 1 SC-KM3X8-T10-SUS-NL set screw.

Wall Mounting with Junction Box

Devices support wall mounting.

Installation Accessory Description

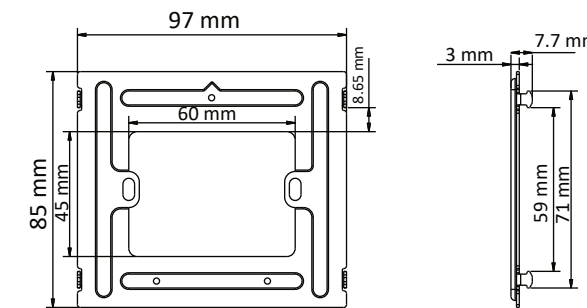
The wall mounting plate and junction box are required to install the indoor station onto the wall. The dimension of the mounting plate is shown as below.

The mounting plate is supplied. The junction box is not supplied.

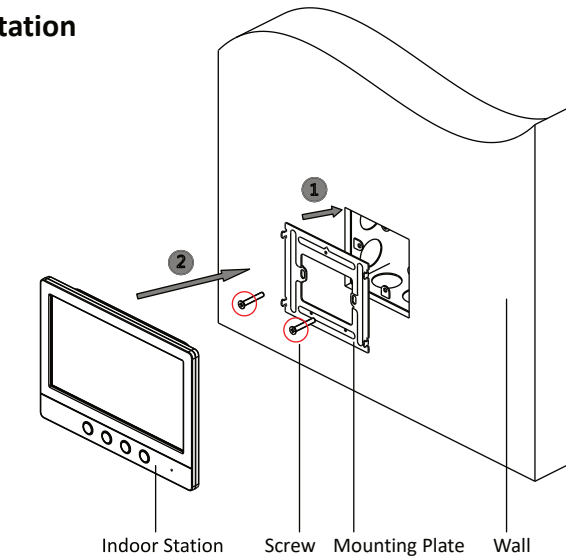
Before You Start

Make sure the device in the package is in good condition and all the assembly parts are included. The power supply the indoor station supported is DC 12 V. Please make sure your power supply matches your indoor station. Make sure all related equipments are powered-off during the installation. Check the product specification for the installation environment.

Mounting Plate



Installation of Indoor Station



1. Chisel a hole in the wall. Insert the junction box to the hole.
2. Fix the wall mounting plate to the junction box with 2 SC-KM4X25 screws.
3. Hook the indoor station to the wall mounting plate tightly by inserting the plate hooks into slots on the rear panel of the indoor station, during which the lock catch will be locked automatically.

For more installation approaches of door station and indoor station, please refer to the **User Manual**.

If a power adapter is provided in the device package, use the provided adapter only. If no power adapter is provided, ensure the power adapter or other power supply complies with Limited Power Source. Refer to the product label for the power supply output parameters.

Если адаптер питания входит в комплект поставки устройства, используйте только прилагаемый адаптер. Если адаптер питания не входит в комплект поставки, убедитесь, что используемый вами адаптер питания или источник питания соответствует требованиям к ограничению мощности. Выходные параметры источника питания указаны на его паспортной табличке.

Amennyiben a készülék csomagja tartalmaz hálózati adaptert, kizárólag a mellékelt adaptert használja. Ha a csomag nem tartalmaz hálózati adaptert, bizonyosodjon meg, hogy a használt hálózati adapter vagy más tápegység megfelelnek a korlátozott áramforrásokra vonatkozó előírásoknak. A tápegység teljesítményének paramétereit a termék címkéjén találhatók.

Wenn im Lieferumfang des Geräts ein Netzteil enthalten ist, verwenden Sie nur das mitgelieferte Netzteil. Wenn kein Netzteil mitgeliefert wird, stellen Sie sicher, dass das Netzteil oder eine andere Stromversorgung den Anforderungen an eine Stromquelle mit begrenzter Leistung entspricht. Die Ausgangsparameter des Netzteils sind auf dem Produktaufkleber angegeben.

Utilizzare solo l'alimentatore in dotazione, se incluso nella confezione del dispositivo. Se l'alimentatore non è incluso, accertarsi di utilizzare un modello conforme allo standard sulle fonti di alimentazione limitate. Consultare l'etichetta del prodotto per i parametri dell'uscita di alimentazione.

Pokud je v balení zařízení dodán napájecí adaptér, použijte pouze dodaný adaptér. Pokud není napájecí adaptér dodán, zajistěte, aby napájecí adaptér nebo jiný napájecí zdroj vyhovoval požadavkům na omezený zdroj napájení. Parametry výstupu napájení viz štítek výrobku.

Ak bolo zariadenie dodané s napájacím adaptérom, použite iba dodaný adaptér. Ak napájací adaptér nie je dodaný, uistite sa, že napájací adaptér alebo iný zdroj napájania vyhovuje obmedzenému zdroju napájania. Parametre výstupu napájacieho zdroja nájdete na štítku produktu.

Si un adaptateur secteur est fourni dans l'emballage de l'appareil, n'utilisez que l'adaptateur fourni. Si aucun adaptateur secteur n'est fourni, assurez-vous que l'adaptateur secteur ou toute autre source d'alimentation est conforme à la source d'alimentation limitée. Reportez-vous à l'étiquette du produit pour connaître les paramètres de sortie de l'alimentation.

Jeżeli w pakiecie z urządzeniem dostarczony jest zasilacz, należy używać wyłącznie tego zasilacza. Jeżeli zasilacz nie jest dostarczony w pakiecie z urządzeniem, należy używać zasilacza zgodnego z wymaganiami dotyczącymi źródeł zasilania z własnym ograniczeniem (LPS, Limited Power Source). Informacje dotyczące wymaganego zasilania podano na etykiecie produktu.

Als een voedingsadapter in de verpakking van het apparaat is geleverd, mag u alleen deze adapter gebruiken. Als er geen voedingsadapter is meegeleverd, moet u ervoor zorgen dat de voedingsadapter of een andere stroombron voldoet aan de Beperkte voedingsbron. Raadpleeg het productlabel voor de parameters voor de stroomuitvoer.

Se a embalagem do dispositivo incluir um adaptador de alimentação, utilize apenas o adaptador fornecido. Se não for fornecido um adaptador, certifique-se de que o adaptador de alimentação ou qualquer outra fonte de alimentação está em conformidade com a Fonte de Alimentação Limitada. Consulte a etiqueta do produto para obter os parâmetros nominais da fonte de alimentação.

Si el paquete del dispositivo incluye un adaptador de corriente, utilice únicamente el adaptador suministrado. Si no se suministra un adaptador de corriente, asegúrese de que el adaptador de corriente u otra fuente de alimentación que utilice cumple con el límite de la fuente de alimentación. Consulte la etiqueta del producto para conocer los parámetros de salida de la fuente de alimentación.

Dacă dispozitivul se furnizează cu un adaptor de alimentare, utilizați-l numai pe acesta. Dacă nu se furnizează niciun adaptor de alimentare, asigurați-vă că adaptorul sau o altă alimentare electrică este compatibilă cu sursa de alimentare limitată. Pentru parametrii de ieșire ai alimentării electrice, consultați eticheta produsului.

Hvis en strømadapter følger med i enhedens pakke, må du kun bruge den medfølgende adapter. Hvis der ikke medfølger en strømadapter, skal du sikre, at strømadapteren eller en anden strømforsyning overholder LPS (Limited Power Source). Find strømforsyningens udgangsparametre i produktets mærkat.

Cihaz paketinde bir güç adaptörü varsa, sadece verilen adaptörü kullanın. Güç adaptörü verilmedyse, güç adaptörünün veya diğer güç kaynağının Sınırlı Güç kaynağı ile uyumlu olduğundan emin olun. Güç kaynağı çıkış parametreleri için ürün etiketine bakın.

في حال توفر محول طاقة في صورة الجهاز، استخدم المحول المرفق فقط في حال عدم توفر محول طاقة، تأكد من توافق محول الطاقة أو مصدر الطاقة الأخر مع مصدر الطاقة المحدود. راجع ملصق المنتج للاطلاع على مواصفات خرج مصدر الطاقة.

Якщо блок живлення входить у комплект поставки, використовуйте тільки наданий блок живлення. Якщо блок живлення не входить у комплект поставки, переконайтеся, що блок живлення або інше джерело живлення відповідає вимогам до джерел живлення обмеженої потужності. Вимоги до вихідних параметрів джерела живлення див. на етикетці виробу.

Jika adaptor daya disediakan dalam kemasan perangkat, hanya gunakan adaptor yang disediakan. Jika adaptor daya tidak disediakan, pastikan adaptor daya atau catu daya lain sesuai dengan Sumber Daya Terbatas. Lihat label produk untuk parameter output catu daya.

ကိရိယာ ထုတ်ပို့မှုတွင် မပါ အခက်ပတာ ထည့်သွင်းပို့ပေးပါ။ ထောက်ပံ့သော အခက်ပတာကိုသာ အသုံးပြုပါ။ မပါ အခက်ပတာ ပါရှိခြင်းမရှိပါက၊ မပါဝင်ခြင်းဖြစ် ကန့်သတ်မှုနှင့် ကိုက်ညီသော မပါ အခက်ပတာ သို့မဟုတ် အခြား မပါ ထောက်ပံ့မှုများကို သုံးစွဲရန် ဂရုပြုပါ။ မပါထောက်ပံ့မှု အတွက် ကန့်သတ်ချက်များအတွက် ထုတ်ကုန်တွင် ရေးသားထားချက်ကို ကိုက်ညီစေပါ။

3 Local Operation

Before You Start

Connect the indoor station and door station via the four-wire interface, wire the indoor station with DC 12 V power adapter via the power interface. Power on the indoor station, and the door station will be powered on automatically.

Buttons on Indoor Station

Receive/Hang up the call Unlock the door

View the live videos of door stations or analog camera

- Switching between door station 1 or 2 or network camera when viewing live videos
- Long press for 3 s to enter the page of configuration.

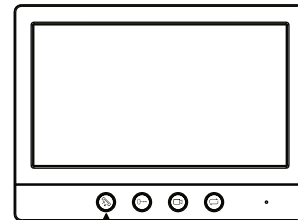
Call Indoor Station from Door Station

Press the call button on the door station to call indoor station.

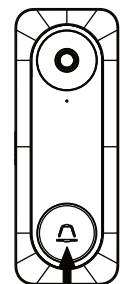
The indoor station can receive the call by pressing the call button on the indoor station or hang up the call by long pressing the call button.



- The door station can cancel the call by pressing the call button only after placing the call for 5 seconds.
- After receiving the call, the indoor station can press the call button to hang up the call.



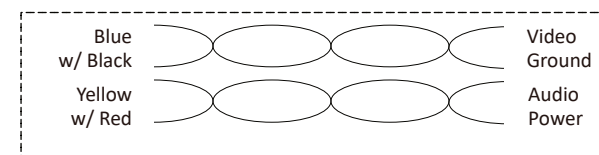
Call Button



Call Button

4 Cables

If you use two groups of parallel cables or twisted pairs instead of the supplied white four-wire cables for wiring, you should put the blue cable (video) and black cable (ground) in the same group of parallel cables or twisted pairs and put the yellow cable (audio) and red cable (power) in the same group.



Routing Path	Cable Specification			
	AWG24	AWG20	AWG18	AWG16
Door Station to Indoor Station	Transmission Distance ≤ 10 m	10 m <	30 m <	50 m <
		Transmission Distance ≤ 30 m	Transmission Distance ≤ 50 m	Transmission Distance ≤ 100 m

Regulatory Information

This product and - if applicable - the supplied accessories too are marked with "CE" and comply therefore with the applicable harmonized European standards listed under the RE Directive 2014/53/EU, the EMC Directive 2014/30/EU, the RoHS Directive 2011/65/EU.

2006/66/EC (battery directive): This product contains a battery that cannot be disposed of as unsorted municipal waste in the European Union. See the product documentation for specific battery information. The battery is marked with this symbol, which may include lettering to indicate cadmium (Cd), lead (Pb), or mercury (Hg). For proper recycling, return the battery to your supplier or to a designated collection point. For more information see: www.recyclethis.info

2012/19/EU (WEEE directive): Products marked with this symbol cannot be disposed of as unsorted municipal waste in the European Union. For proper recycling, return this product to your local supplier upon the purchase of equivalent new equipment, or dispose of it at designated collection points. For more information see: www.recyclethis.info

- Warning**
- In the use of the product, you must be in strict compliance with the electrical safety regulations of the nation and region.
 - **CAUTION:** To reduce the risk of fire, replace only with the same type and rating of fuse.
 - To prevent possible hearing damage, do not listen at high volume levels for long periods.
 - Please use the power adapter, which is provided by normal company. The power consumption cannot be less than the required value.
 - Do not connect several devices to one power adapter as adapter overload may cause over-heat or fire hazard.
 - Please make sure that the power has been disconnected before you wire, install or dismantle the device.
 - When the product is installed on wall or ceiling, the device shall be firmly fixed.
 - If smoke, odors or noise rise from the device, turn off the power at once and unplug the power cable, and then please contact the service center.
 - If the product does not work properly, please contact your dealer or the nearest service center. Never attempt to disassemble the device yourself. (We shall not assume any responsibility for problems caused by unauthorized repair or maintenance.)

- Caution**
- No naked flame sources, such as lighted candles, should be placed on the equipment.
 - The serial port of the equipment is used for debugging only.
 - Burned fingers when handling the fingerprint sensor metal. Wait one-half hour after switching off before handling the parts.

- Install the equipment according to the instructions in this manual.
- To prevent injury, this equipment must be securely attached to the floor/wall in accordance with the installation instructions.
- Do not drop the device or subject it to physical shock, and do not expose it to high electromagnetic radiation. Avoid the equipment installation on vibrations surface or places subject to shock (ignorance can cause equipment damage).
- Do not place the device in extremely hot (refer to the specification of the device for the detailed operating temperature), cold, dusty or damp locations, and do not expose it to high electromagnetic radiation.
- The device cover for outdoor use shall be kept from rain and moisture.
- Exposing the equipment to direct sun light, low ventilation or heat source such as heater or radiator is forbidden (ignorance can cause fire danger).
- Do not aim the device at the sun or extra bright places. A blooming or smear may occur otherwise (which is not a malfunction however), and affecting the endurance of sensor at the same time.
- Please use a soft and dry cloth when clean inside and outside surfaces of the device cover, do not use alkaline detergents.
- Please keep all wrappers after unpack them for future use. In case of any failure occurred, you need to return the device to the factory with the original wrapper.
- Transportation without the original wrapper may result in damage on the device and lead to additional costs.