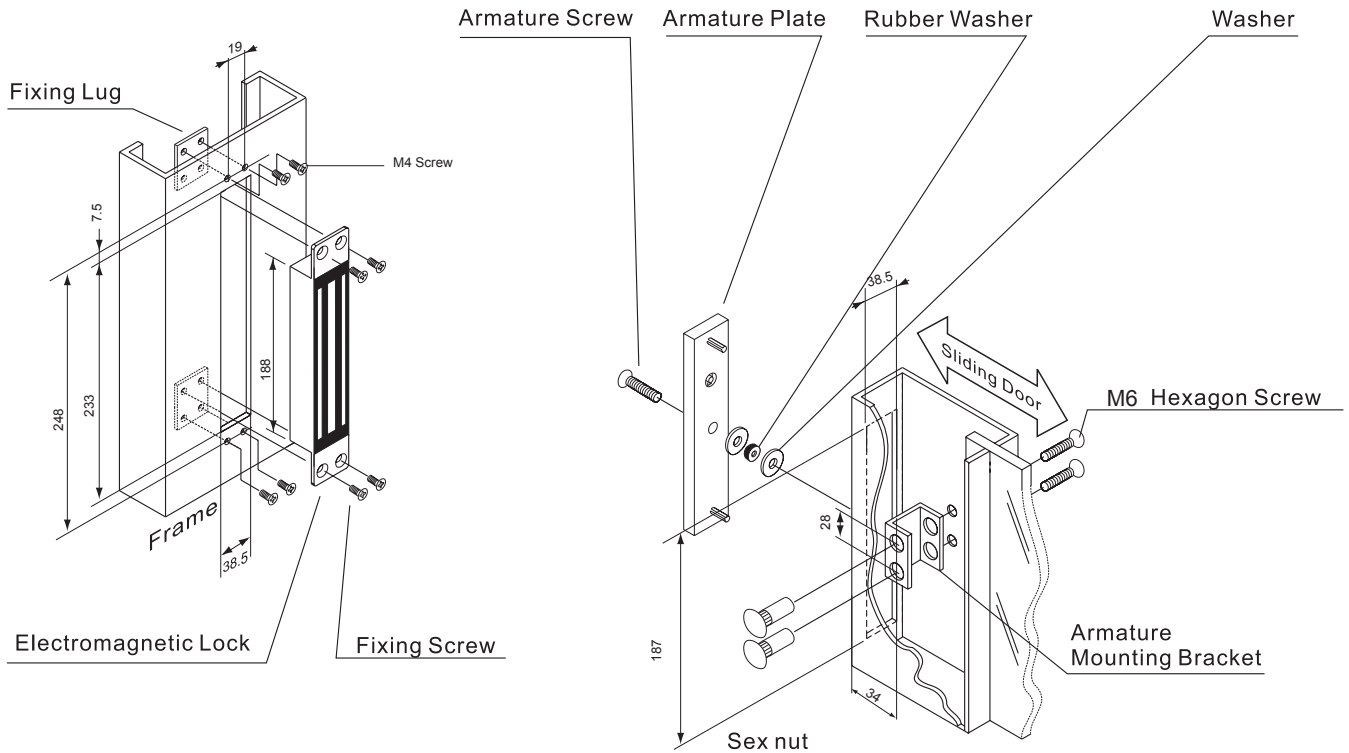


Z4 Series Recessed Electro Magnetic Locks

Please note that the actual accessory pack varies according to the electromagnetic lock model.



Product Specifications:

Holding force (approx) 250kg - 280kg

Current Draw:

For EML with monitoring: 460mA at 12vDC (**Only**)

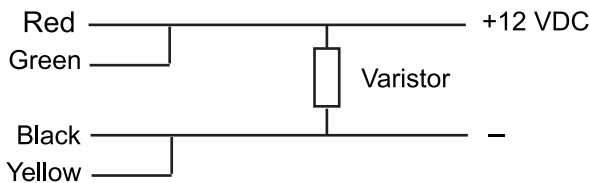
For EML without monitoring: 460mA at 12vDC; 230mA at 24vDC

Product Type:

Besides non-monitored version this series has Hall /Bond Sensor model that uses a change-over reed switch.

Product Installation and Wiring

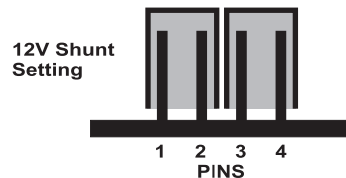
- For electromagnetic lock without PCB, please refer to the schematic diagram below for correct wiring:



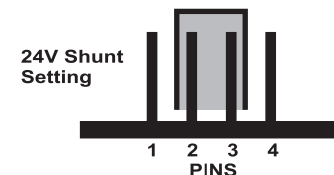
- **For electromagnetic lock with monitoring**

Adjust PCB shunt settings for correct operating voltage prior to applying power to the EML.

Note: Factory default setting is 12 VDC, with 2 shunts.



For a 24 volt system only one shunt is required, joining pins 2 & 3.



- For Hall/Bond Sensor model with reed switch, there are 3 flying leads. Black is COM, green is NO and white is NC.

The Electromagnetic lock does not require much ongoing maintenance. The customer should be advised to keep the mating faces of the armature and magnet clean making sure that no abrasive materials are used to clean the faces.

Do not spray the magnet or armature with any chemicals such as lacquer as the holding force of the Electromagnetic lock may be compromised.